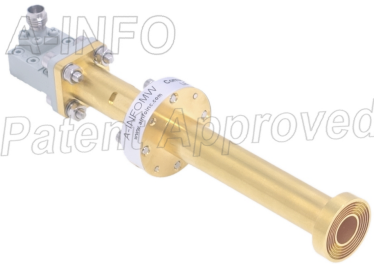


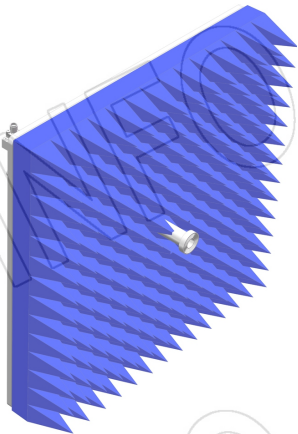
For reference only. See data sheet for the detailed specifications.

Technical Specification

LB-ACH-28-10-62-C-2.4F



LB-ACH-28-10-62-C-2.4F-A1



Frequency Range(GHz)	23.5 - 43.5
Waveguide	WR28
Gain(dBi)	10 Typ.
Polarization	Linear
3dB Beamwidth(deg)	E Plane: 56 Typ.
	H Plane: 59 Typ.
10dB Beamwidth(deg)	E Plane: 105 Typ.
	H Plane: 108 Typ.
Cross Pol. Isolation(dB)	35 Typ.
VSWR	A Type: 1.40:1 Typ.
	C Type: 1.60:1 Typ.
Output	A Type: FBP320(UBR320)
	C Type: 2.4mm-Female or 2.92mm-Female
Material	Cu
Finish	Gold Plated, Gray Paint
Size(mm)	A Type: 28.6 x 28.6 x 109.6
	C Type: 28.6 x 31.4 x 133.6
	A-A1: 259 x 259 x 109.6
	C-2.4F-A1: 259 x 259 x 133.2
Net Weight(Kg)	A Type: 0.07 Around
	C Type: 0.11 Around
	A-A1: 2.37 Around
	C-2.4F-A1: 2.41 Around

PATENT ID (China)

ZL202220615760.3, ZL202130553080.4

AINFO Inc.

China(Beijing):
China(Chengdu):
USA :

Tel: (+86) 10-6266-7326,
Tel: (+86) 28-8519-2786,
Tel: (+1) 949-639-9688,

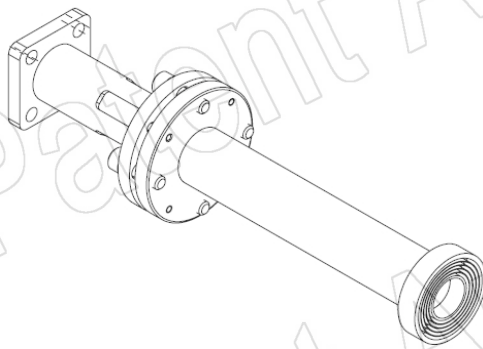
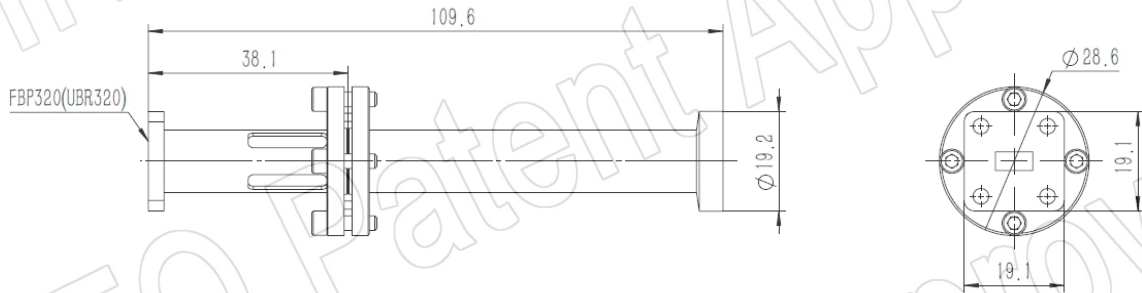
(+86) 10-6266-7327
(+86) 28-8519-3044
(+1) 949-639-9608

Fax: (+86) 10-6266-7379
Fax: (+86) 28-8519-3068
Fax: (+1) 949-639-9670

Website: www.ainfoinc.com
Email: sales@ainfoinc.com

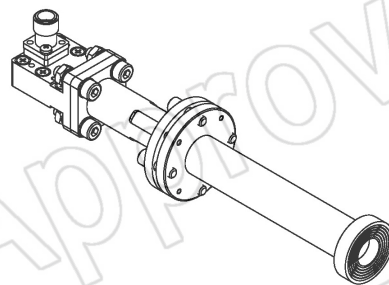
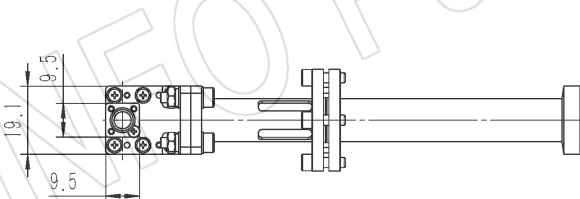
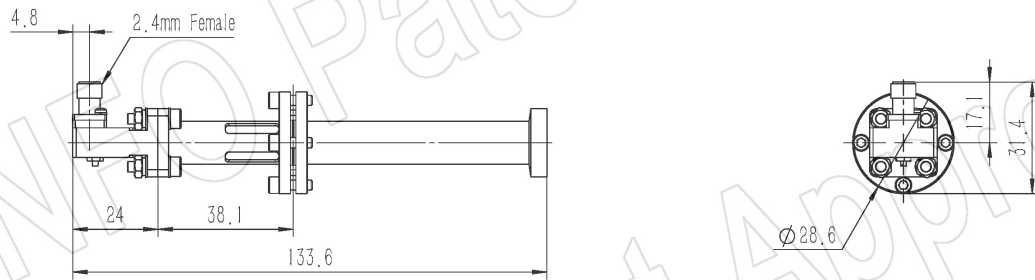
Outline Drawing (Size: mm)

FBP320 Output (P/N: LB-ACH-28-10-62-A)



2.4mm-Female Output (P/N: LB-ACH-28-10-62-C-2.4F)

For 2.92mm-Female output outline drawing, please contact A-INFO.



AINFO Inc.

China(Beijing):
China(Chengdu):
USA :

Tel: (+86) 10-6266-7326,
Tel: (+86) 28-8519-2786,
Tel: (+1) 949-639-9688,

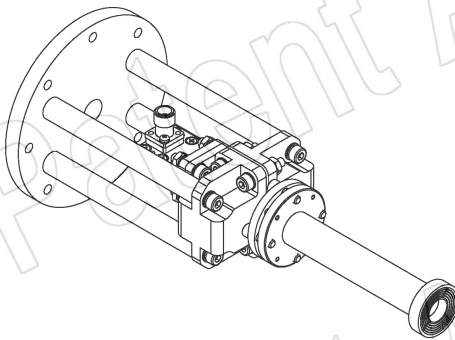
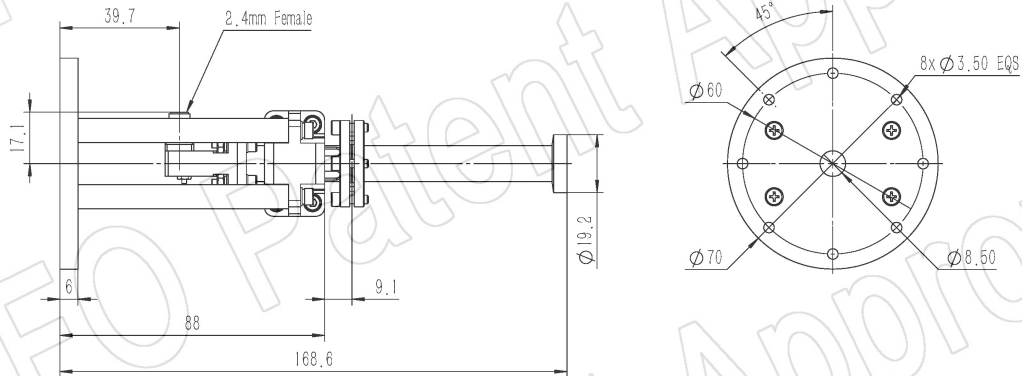
(+86) 10-6266-7327
(+86) 28-8519-3044
(+1) 949-639-9608

Fax: (+86) 10-6266-7379
Fax: (+86) 28-8519-3068
Fax: (+1) 949-639-9670

Website: www.ainfoinc.com
Email: sales@ainfoinc.com

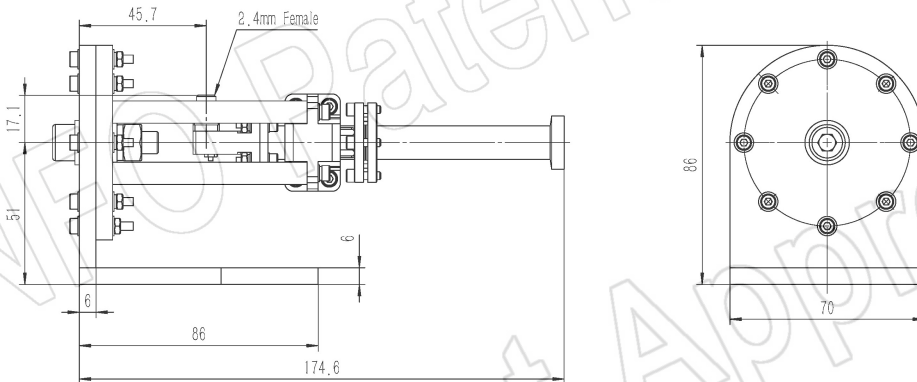
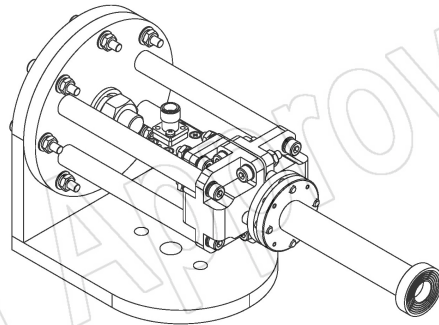
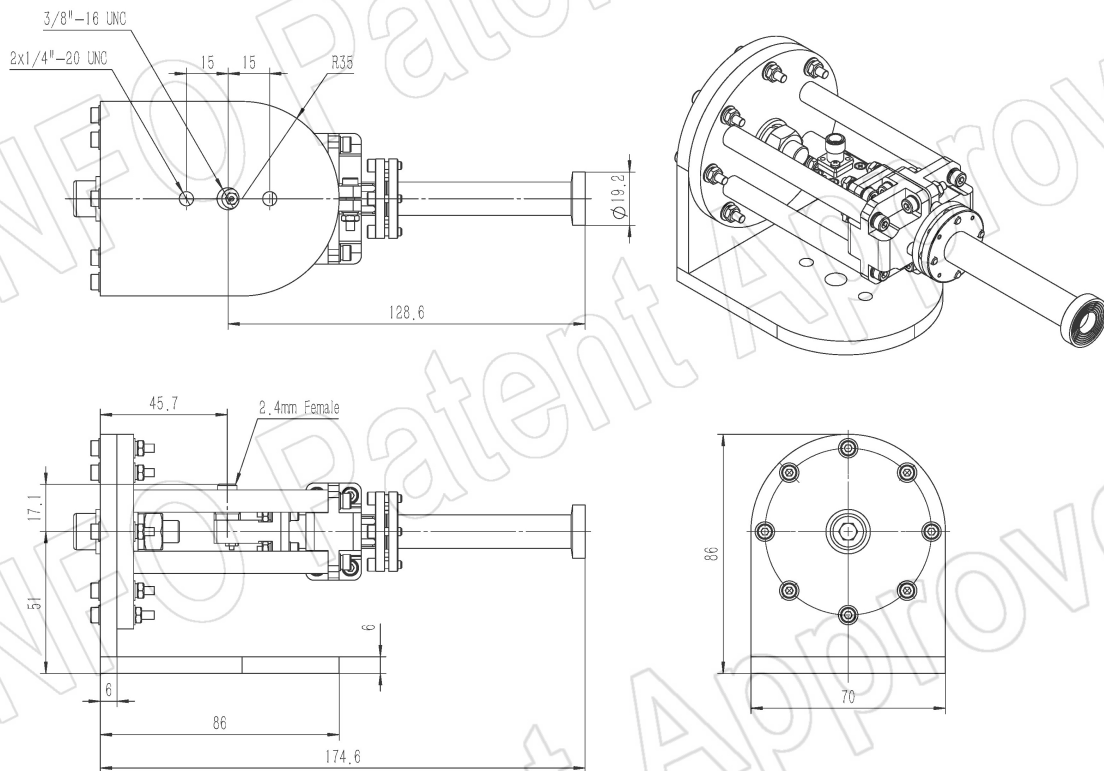
2.4 mm-Female Output with Round Mounting Bracket (Option, P/N: LB-CNH-28-20-MB)

For 2.92mm-Female output outline drawing, please contact A-INFO.

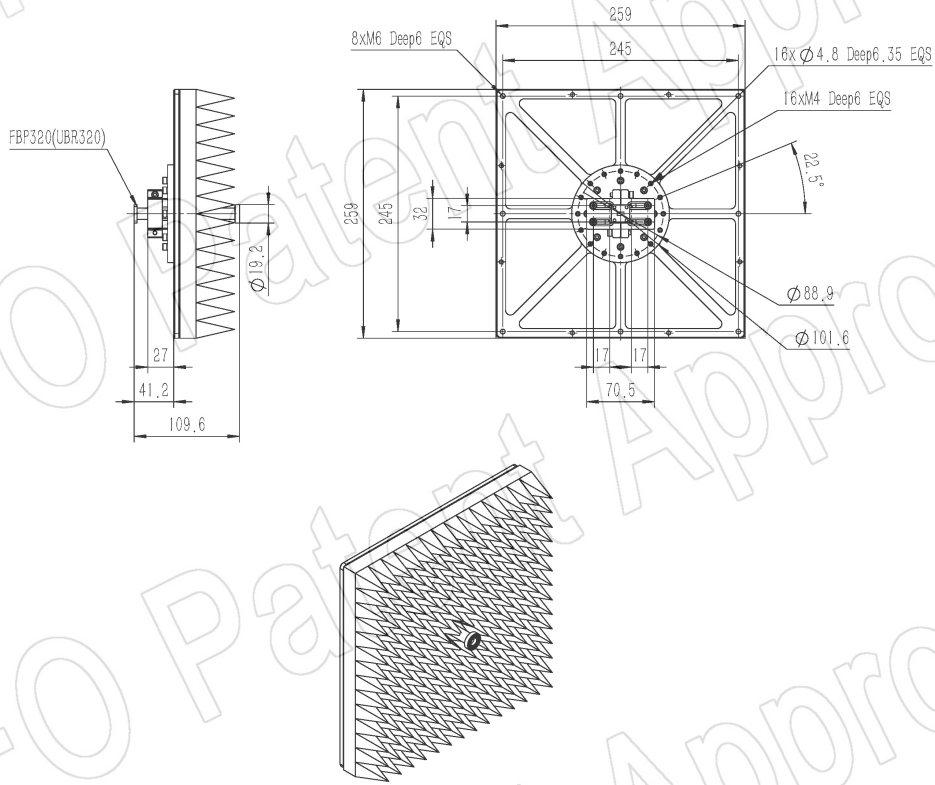


2.4mm-Female Output with L Type Mounting Bracket (Option, P/N: LB-CNH-28-20-MBL)

For 2.92mm-Female output outline drawing, please contact A-INFO.

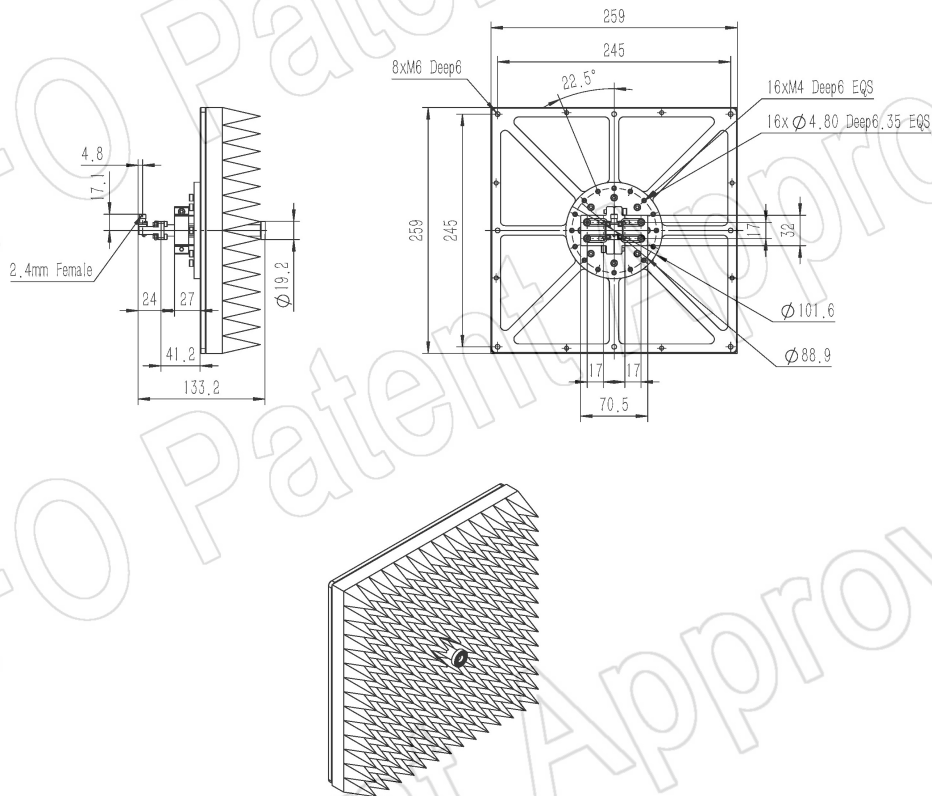


FBP320 Output, Equipped with Absorber(Option, P/N: LB-ACH-28-10-62-A-A1)



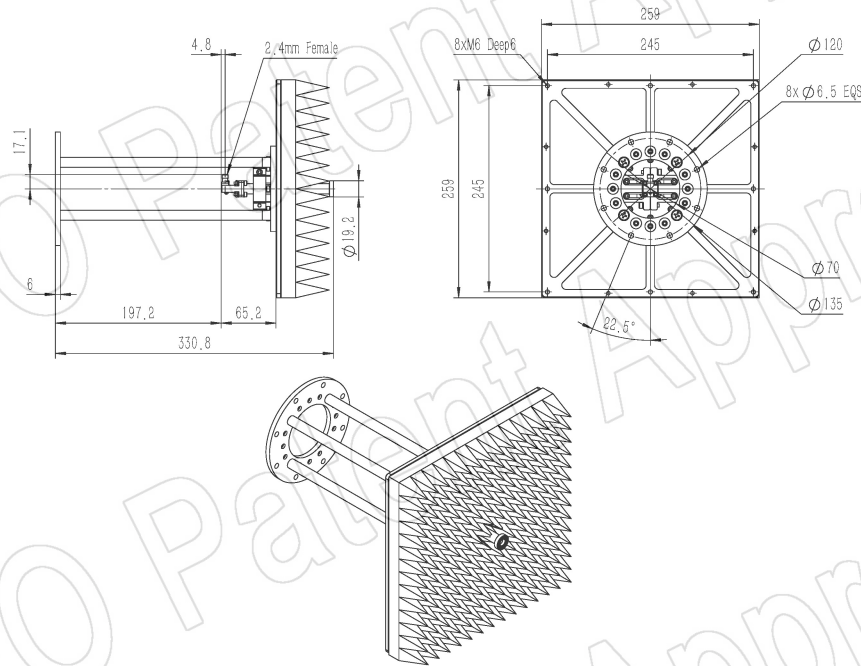
2.4mm-Female Output, Equipped with Absorber (Option, P/N: LB-ACH-28-10-62-C-2.4F-A1)

For 2.92mm-Female output outline drawing, please contact A-INFO.



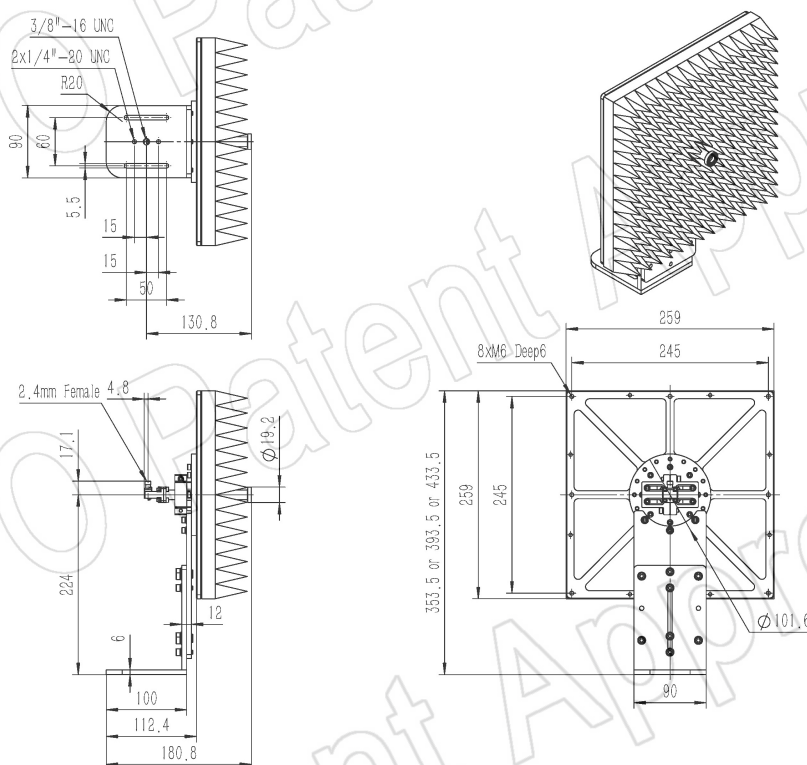
2.4mm-Female Output with Round Mounting Bracket & Equipped with Absorber (Option, P/N: LB-CNH-28-20-MB & LB-ACH-28-10-62-C-KF-A1)

For 2.92mm-Female output outline drawing, please contact A-INFO.

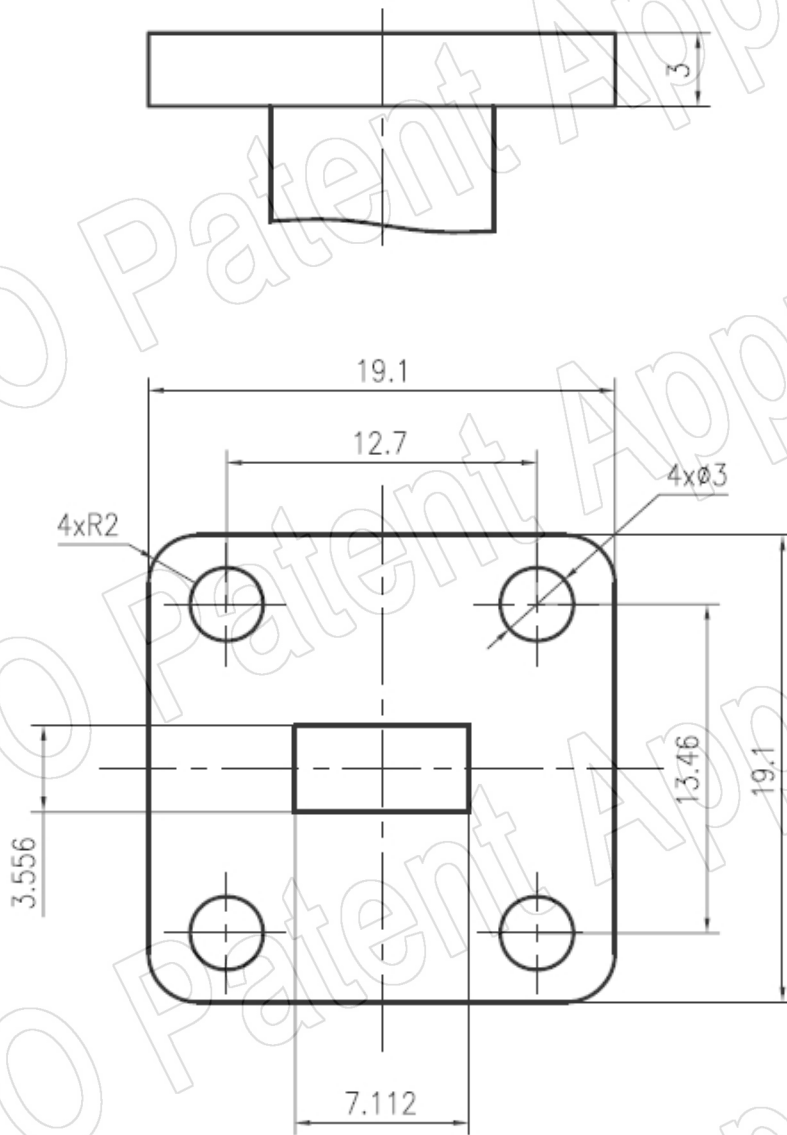


2.4mm-Female Output with L Type Mounting Bracket & Equipped with Absorber (Option, P/N: LB-CNH-28-20-MBL & LB-ACH-28-10-62-C-2.4F-A1)

For 2.92mm-Female output outline drawing, please contact A-INFO.



Flange Drawing (Size: mm)



FBP320

AINFO Inc.

China(Beijing):
China(Chengdu):
USA :

Tel: (+86) 10-6266-7326,
Tel: (+86) 28-8519-2786,
Tel: (+1) 949-639-9688,

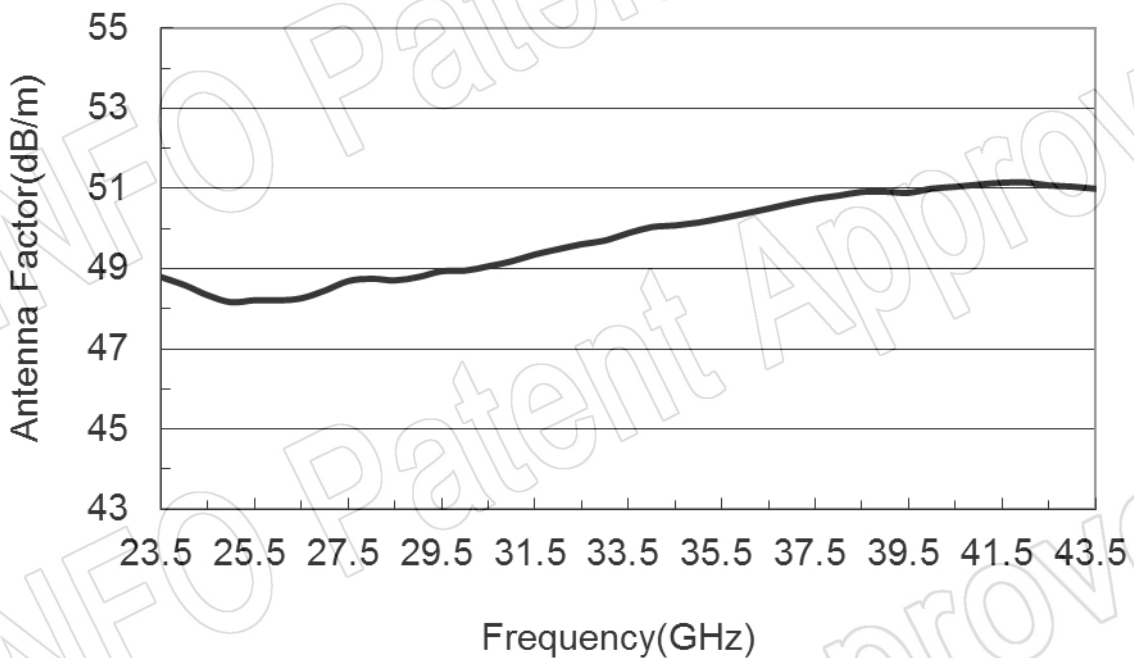
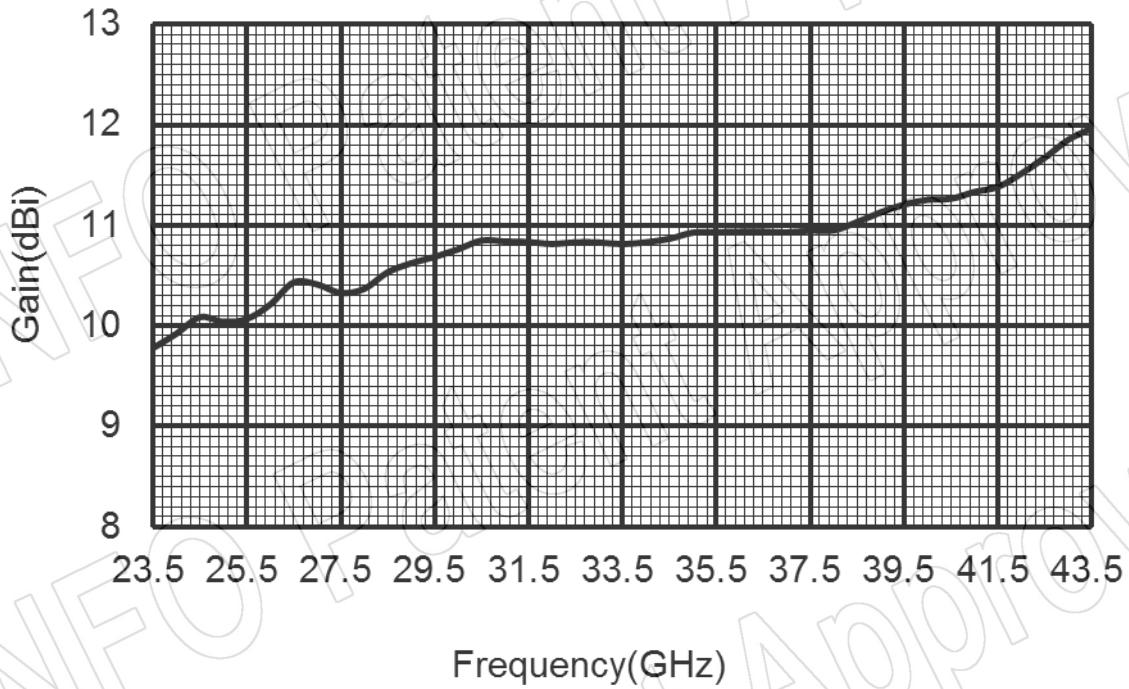
(+86) 10-6266-7327
(+86) 28-8519-3044
(+1) 949-639-9608

Fax: (+86) 10-6266-7379
Fax: (+86) 28-8519-3068
Fax: (+1) 949-639-9670

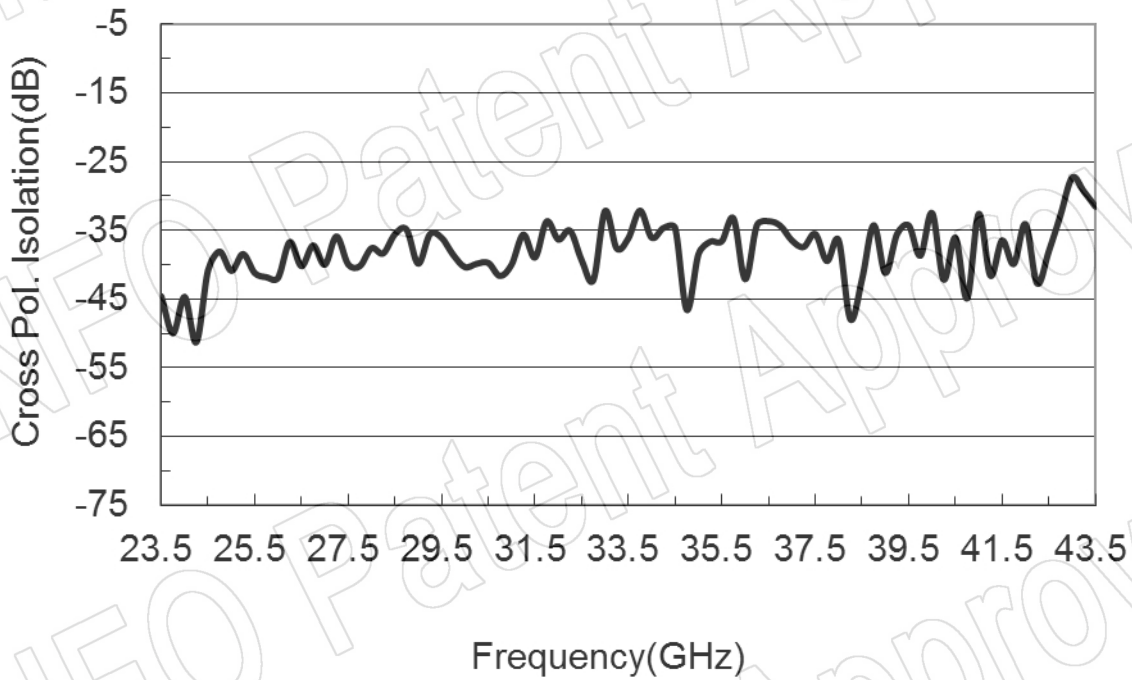
Website: www.ainfoinc.com
Email: sales@ainfoinc.com

Test Results

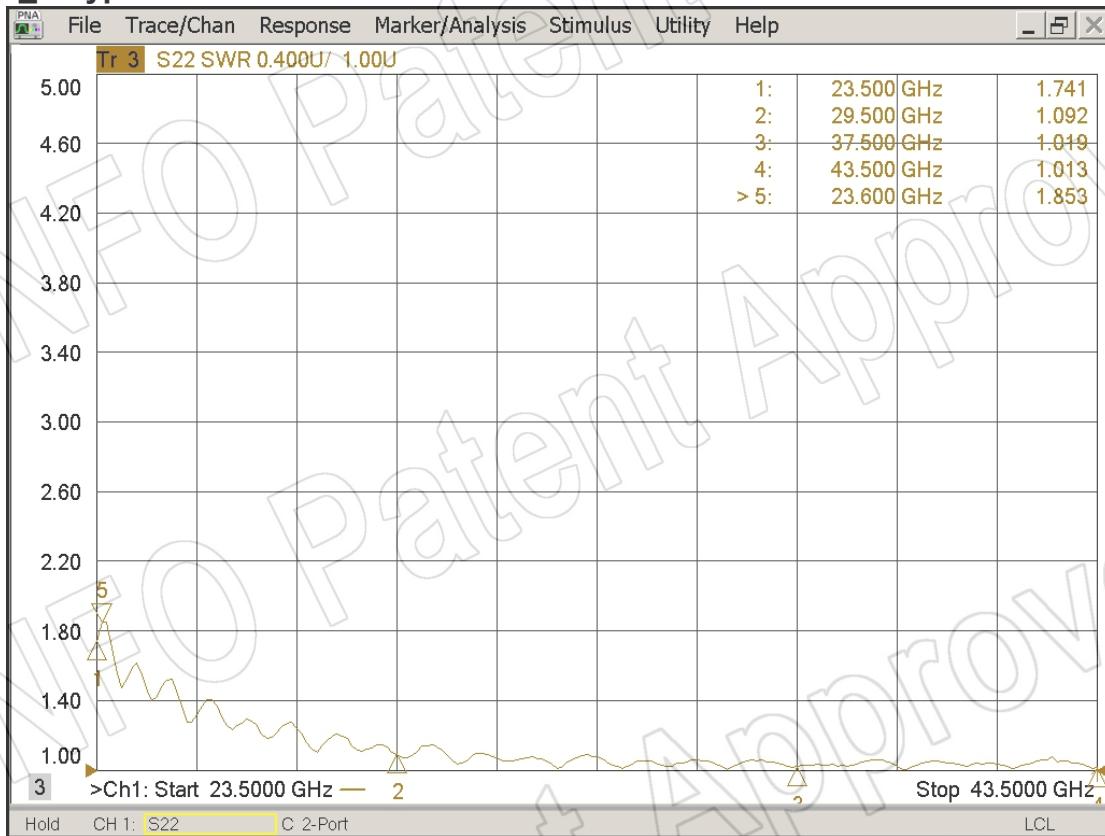
1. Gain & Antenna Factor



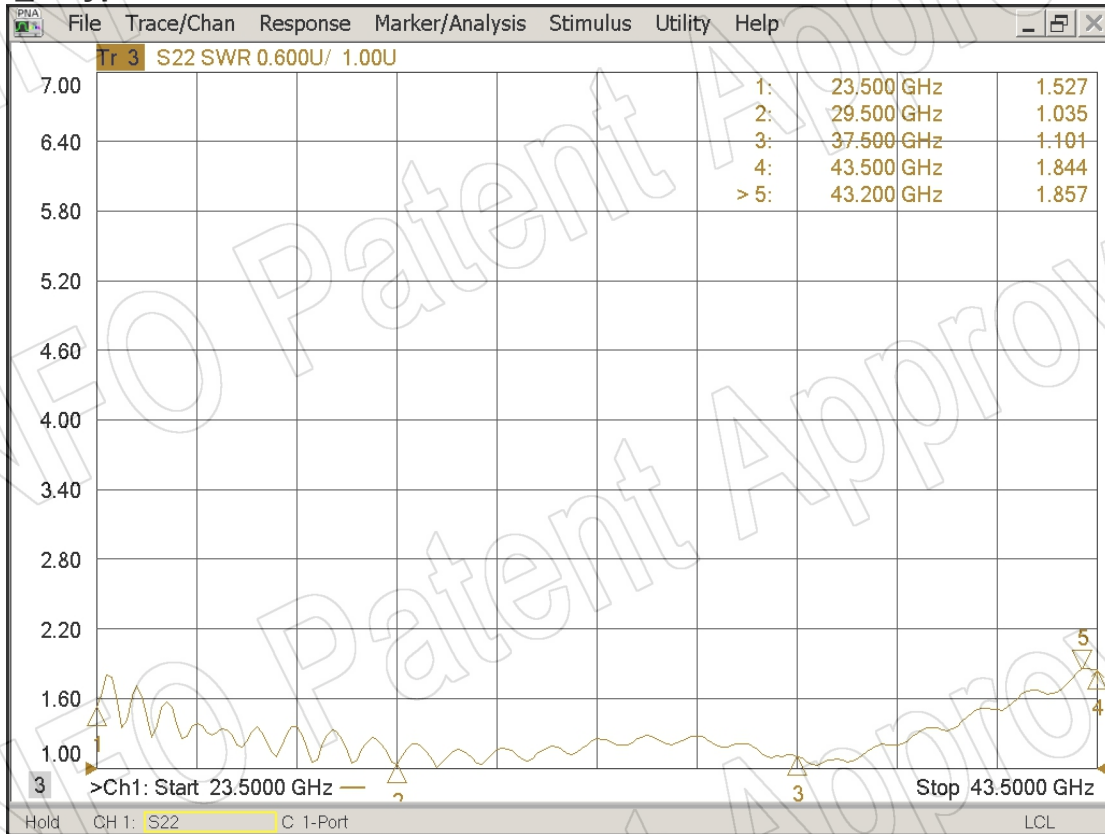
2. Cross Polarization Isolation



3. VSWR A Type



VSWR_C Type



4. Pattern

